

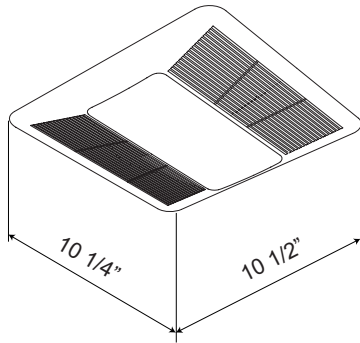


# PCVLEDKRD Premium Choice Value Series LED Light Kit with Radiation Damper

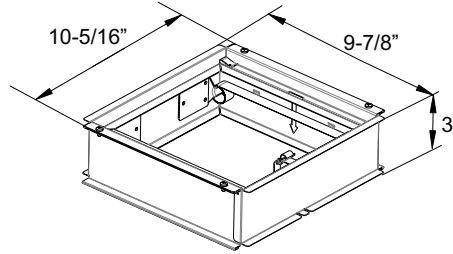


## Dimensions (inches)

LED Light Kit



Radiation Damper



### LED Kit Features:

- 13 watt LED light
- 4100K/1100 lumens
- Simple plug-in receptacle in fan housing
- Can be installed with new fan or as an add-on later

### Radiation Damper Specifications:

- For use in 1, 2 and 3-hour rated floor-ceiling and roof-ceiling constructions
- ETL Listed (UL555C standard)
- Ceramic fiber with fiberglass cover
- Roll-formed frame 22 ga. galvanized steel

The chart below indicates which plug-&-play or other PC accessories can be used with the PCVLEDKRD:

Model	Standard Grille	PCHS	PCSC	PC3S	PCVRD
PCVLEDKRD	✓	✓	✓	✓	✓

ACCESSORY MODEL	1	2	3	4	5	REMARKS

Project: _____	Submitted: _____
Customer: _____	Approved: _____
Location: _____	

For more information contact the factory for additional submittal drawings.

S&P will not be responsible for fabrication changes or errors resulting from customer use of a non-current submittal drawing.