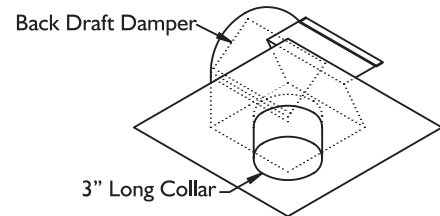
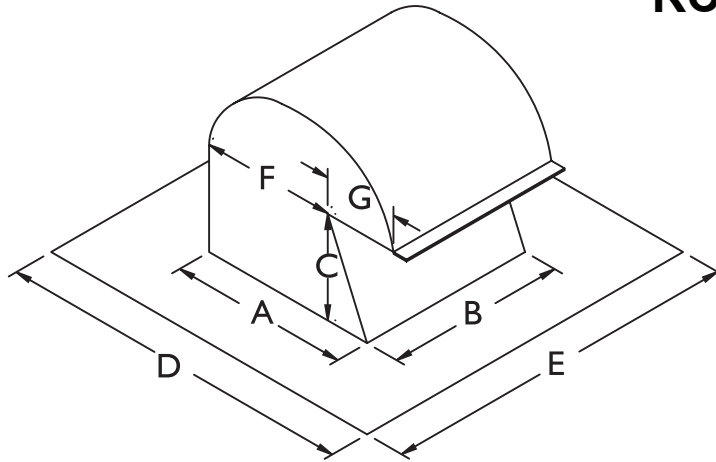




P: 800.961.7370
www.solerpalau-usa.com

RC - Roof Cap



Bottom View

Dimensions inches/mm

Model	A	B	C	D	E	F	G	Weight (lbs)
RC-4	6 150	6 150	3 1/2 90	12 300	12 300	4 1/2 115	2 1/2 60	1
RC-6	8 200	8 200	4 100	14 355	14 355	5 125	4 100	1
RC-8	8 200	8 200	4 100	14 355	14 355	5 125	4 100	1
RC-10	11 280	11 280	5 125	17 430	17 430	7 175	4 100	1

ACCESSORY MODEL	1	2	3	4	5	REMARKS

Project: _____	Submitted: _____
Customer: _____	Approved: _____
Location: _____	

For more information contact us at www.solerpalau-usa.com or 1.800.961.7370 for additional submittal drawings.

Soler & Palau will not be responsible for fabrication changes or errors resulting from customer use of a non-current submittal drawing.

