



# MODEL PCRL

## Recessed Vent Light Models

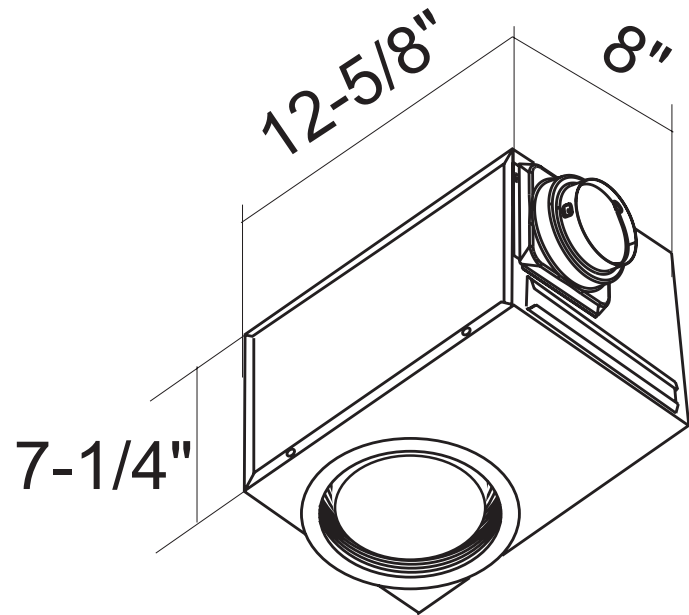
### Features & Construction

- Designed to look like a recessed can light
- Quiet operation 1.2 Sones
- PCRL80 has an E26 bulb base (bulb sold separately)
- PCRL80F has a GU24 bulb base (CFL spiral bulb included)
- Enclosed condenser motor for long life
- Motor rated for 30,000 hours continuous on
- Galvanized housing with black polyester powder coat finish
- Universal 4 or 5" metal duct adaptor with built-in backdraft damper
- 14-24" adjustable hanging bars
- Fits 2x8 construction
- cETLus Listed
- ENERGY STAR® qualified
- HVI Certified
- CALGreen (Title 24 Compliant)



### Performance and Dimensions

	PCRL80	PCRL80F
HVI Certified CFM 0.1" SP	80	
HVI Certified CFM 0.25" SP	50	
Sones @ 0.1" SP	1.5	
Voltage / Frequency	120V / 60Hz	
Energy Efficiency (CFM/Watts)	4.1	
Watts @ 0.1" SP	19.7	
Duct Connector Diameter (in)	4" and 6"	
Current	0.27A	
Dimensions (w x d x h) (in)	12-5/8" x 8" x 7-1/4"	
Avg. Ship Weight	10 lbs.	



### ADDITIONAL PCRL ACCESSORIES

#### Light Cover Options

##### PCRL80LC

Light Cover for use with PCRL80 when not using PAR30 style bulb.

